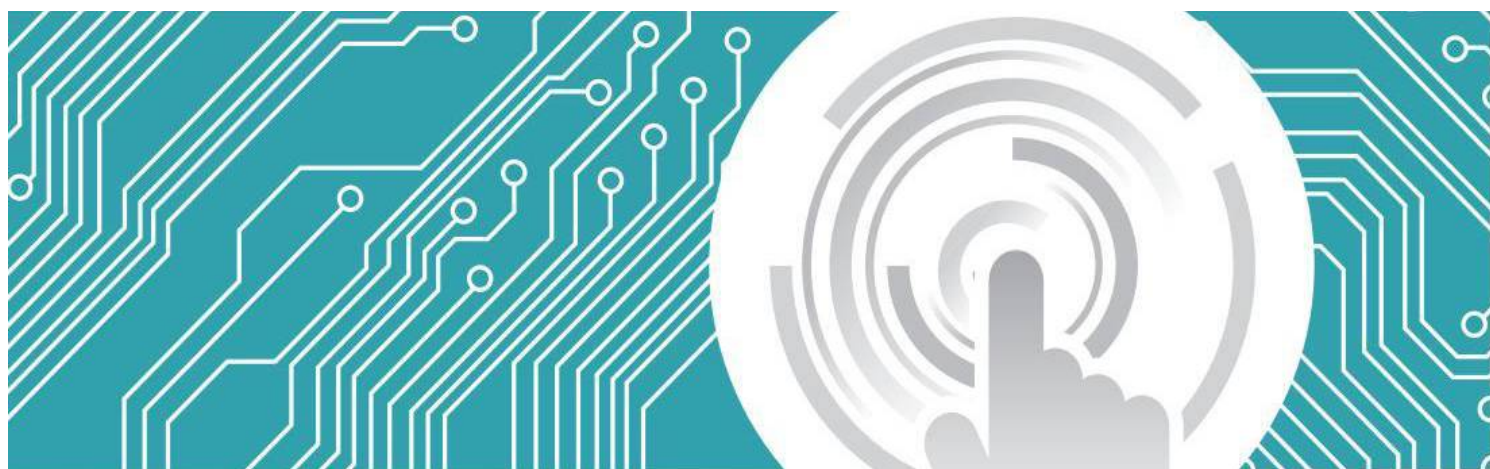


# Intelligent Sensing Microphone System User Manual



Industry's first automatic hand-sensing patented technology

Automatically mute, save energy, and shut down after leaving the hand still

**AUTOMATIC INDUCTION  
WIRELESS MICROPHONE**

**OWNER'S MANUAL**

# System Features

Streamlined appearance design, user-friendly operation interface, beautiful and generous;

High-definition LCD display, intuitive and clear;

Adopt PLL dual-channel phase-locked loop design, ID code lock self-select channel function;

The sound curve has been carefully tuned, and the sound is warm and transparent;

Lockable control function selection, adjustable wireless gain connection function;

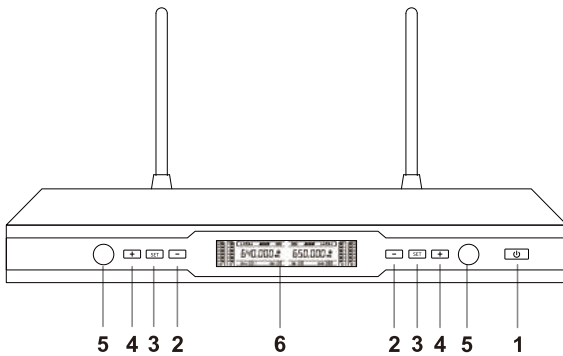
Adopt high-performance audio processing chip, ultra-low distortion sound processing circuit design;

Ultra-high frequency dynamic compression shunt technology, automatically shunt high and low frequencies, showing better dynamic performance.

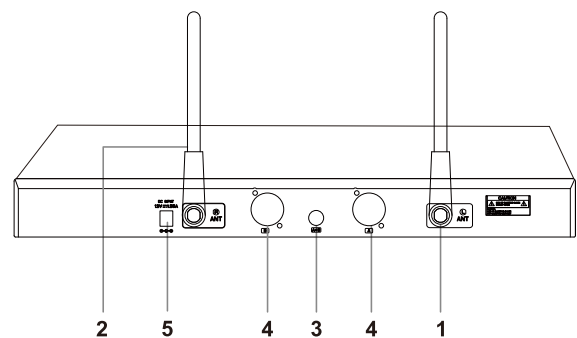
## Technical indicators

System Specifications	Receiver	Transmitter
<p><b>Frequency range:</b> 640-690MHz  <b>Total number of channels:</b> 200CH            Effective use distance <math>\approx</math>50m  <b>Frequency interval:</b> 250KHz  <b>Frequency width:</b> 50MHz  <b>Frequency oscillation mode:</b> PLL phase-locked frequency synthesis</p>	<p>Signal-to-noise ratio: <math>\geq</math>50dB            Frequency stability: <math>\pm</math>5KHz            Reception method: CPU control selection + pilot recognition reception            Mute method: Mute &amp; Lock Loop Circuit            Display method: LCD            Power supply: 12VDC, 1250mA            Audio output interface: 2XLR Balanced Socket            +Unbalance TRS 6.3mmSocket</p>	<p>Frequency range: 640--690MHz            Total number of channels: 200CH            Frequency interval: 250KHz            Frequency width: 50MHz            Frequency oscillation mode: PLL phase-locked frequency synthesis            Handheld power: <math>\leq</math>30mW            Transmission method: CPU control carrier generation+ Pilot recognition code generation            Frequency stability: <math>\pm</math>4KHz            Display method: LCD + multi-color backlight screen            Sound head type: dynamic            4-level power: LL, L, H, HH</p>

Receiver (front)



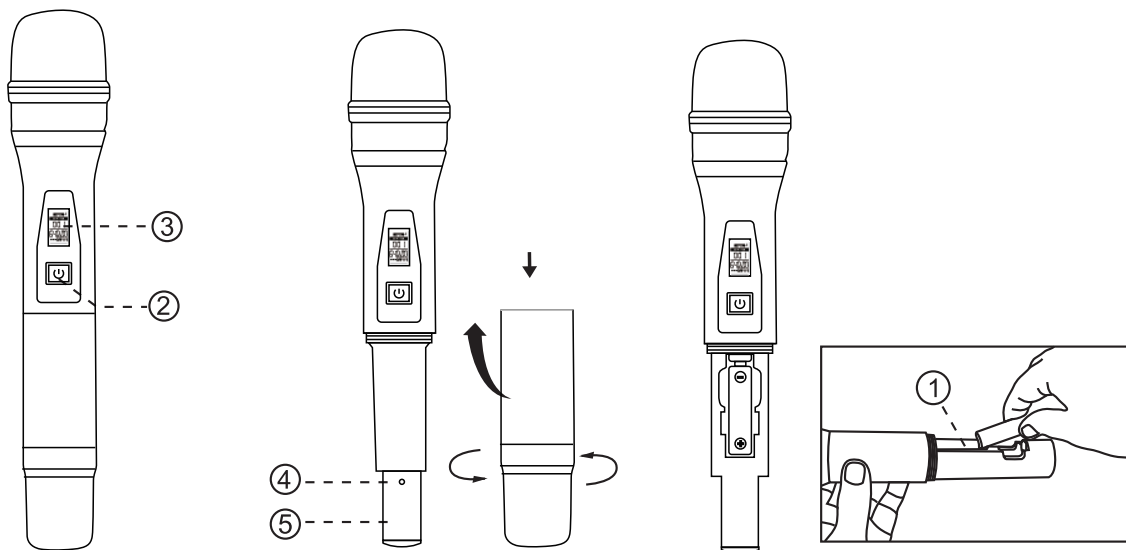
Receiver (back)



- 1.Power switch key: Used to turn on or off the power of this device
- 2.DOWN key: Used to lower the receiver frequency.
- 3.SET key: Used to set the receiver frequency and enter the automatic scanning mode and frequency matching mode.
- 4.UP key: Used to increase the receiver frequency.
- 5.Volume knob: Used to adjust the volume increase of the receiver
- 6.LCD display: Displays channel, mute, receive signal level, audio level, etc.

1. Antenna input interface: Insert the two antennas provided randomly into this interface.
2. Antenna: Connect the receiver antenna interface, set up in a V shape to receive the best signal.
3. 3mm mixed output interface: The audio output interface mixed with A and B channels.
4. XLR balanced output interface: Used to connect balanced audio equipment.
5. DC power socket: Power socket, connect the power adapter provided randomly.

## Transmitter (handheld)

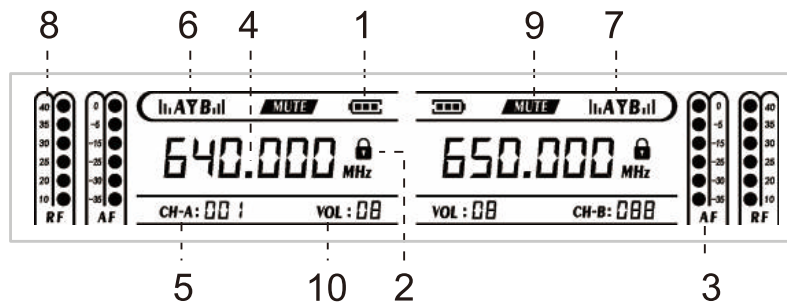


1. Battery box: Unscrew the lower section and install two batteries into the battery slot.
2. Power switch key: After installing the battery, press this key, the information display screen will light up, and then you can operate and use it.
3. LCD display: Information display screen, displaying frequency points, battery usage and other information content.
4. Frequency matching receiving point: This is used to pair with the receiver.
5. Antenna: Used to transmit RF signals.  
It is strictly forbidden to block this area when using this device!

## Transmitter use introduction

1. Power switch: Press and hold for 2 seconds to turn on and off the handheld.
2. Infrared frequency matching: Short press the host "SET" key to enter the infrared frequency matching mode.  
The specific operation method is to turn on the handheld, place the "IR" receiving head of the handheld frequency matching receiving point (on the right side of the display screen) about 10CM in front of the host "IR" transmitting window, press the host "SET" key, and the handheld will automatically synchronize to the host's set frequency point.
3. Sensing function on and off: Turn on the handheld, after the backlight goes out, press and hold the power button (note: keep pressing), after 2 seconds, the handheld will normally shut down (the power button is still not released), wait for 10 seconds, the handheld will display "ON" (indicating that the sensing function is turned on) or "OFF" (indicating that the sensing function is turned off), then release the power button, the handheld enters shutdown.  
The operation of turning on and off the sensing function is the same, just repeat the operation.  
It should be noted that during the entire process, the power button of the handheld is always pressed and not released.

## Receiver display description



1. Transmitter battery power
2. Lock status
3. Audio signal strength
4. Frequency display
5. Channel display
6. A antenna receives signal
7. B antenna receives signal
8. RF signal strength
9. The mute status of the host
10. Volume size

## Receiver system settings

1. Press the power switch: Tap this switch to turn the receiver on or off.
2. Volume adjustment: Directly adjust the volume knobs on the left or right side to adjust the volume.
3. Enter the special function menu: Press and hold the "SET" key for more than 2 seconds and then release it, it will display "SCAN", then press the "SET" key again to enter the special setting mode, then press the frequency "+" or frequency "-" key to switch the submenu, "ID ON" is to turn on digital pilot, "ID OFF" is to turn off digital pilot, users can adjust according to actual use, it is recommended to use the default settings.
4. Menu note: "IDOFF" is test mode, in this mode, the host can receive any handheld signal with the same frequency point, in an emergency, the host can be used as a universal receiver. It is recommended not to change this menu item during normal use to prevent cross-frequency. It is particularly noted that in the "IDON" state, the host can display the battery power of the handheld in real time. In the "IDOFF" state, the host will not display the battery power of the handheld, and at the same time, in the "IDOFF" state, the intelligent mute function will not enable the "ACL" function, which only works when two handhelds are used at the same time.
5. Automatic search for idle channel function: Press and hold the "SET" key for more than 2 seconds and then release it, it will display "SCAN" and then press the frequency "+" or frequency "-" key, the host enters the automatic search for interference-free channel function, when the host searches for the interference-free channel, it will display the "IR" progress bar, at this time, turn on the handheld, align the frequency matching receiving window of the handheld with the "IR" transmitting window of the host, and perform infrared frequency matching operation.
6. Host lock and unlock: In the power-on state, press and hold the "SET" key for more than 2 seconds and then release it, it will display "SCAN" and then press the "SET" key three times to enter the lock and unlock setting mode, then press the frequency "+" or frequency "-" key to switch the submenu, "LOC OFF" is unlocked, "LOC ON" is locked. If it is locked, the host will display "L", if it is unlocked, press the frequency "-" key twice to unlock, the host's "1" symbol will not be displayed, after locking, except for the power switch, all other keys are locked.
7. High and low power: In the power-on state, press and hold the "SET" key for more than 2 seconds and then release it, it will display "SCAN" and then press the "SET" key twice to enter the high and low power setting mode, then press the frequency "+" or frequency "-" key to switch the submenu, "F1-HH" is the highest power, "F1-LL" is the lowest power. "F1-H" is the second highest power, "F1-L" is low power, after selection, you need to re-frequency to take effect.
8. Special statement: Since this system uses an independent encryption algorithm for each frequency point, therefore, the host can only be used with the handheld that was successfully frequency-matched last time. If it appears that the frequency points displayed by the handheld and the host are the same, but the host has a signal and no sound, you only need to re-infrared frequency match once to use it normally.

## Important Safety Matters

1. Must read these precautions.
2. Must keep these precautions.
3. Must pay attention to all warnings.
4. Must follow all precautions.
5. Do not use this device near water.
6. Only use a dry cloth to wipe the device.
7. Do not block any ventilation holes. Follow the manufacturer's instructions for installation.
8. Do not install this device near any heat source, such as radiators, thermostats, stoves, or other devices that may generate heat (including power amplifiers).
9. Protect the power supply from being stepped on or pinched, especially at the plug, convenience socket, and the power cord lead-out wire of the machine body.
10. Only use the connectors/accessories specified by the manufacturer.
11. The plug of the device should be unplugged during thunderstorm weather or when not in use for a long time.
12. All repairs should be performed by qualified service personnel.  
When the device is damaged due to the following conditions, it should be repaired: the power cord or plug is damaged, liquid is spilled on the device or foreign objects enter the device, the device is exposed to rainwater or a humid environment and cannot work normally, or it falls to the ground.
13. Do not expose this device to places where it may be dripped or splashed.  
Do not place containers filled with liquid (such as vases) on this device.
14. The power plug or electrical adapter should be kept readily available.
15. Devices that meet Class I standards should be connected to a main power socket with a grounding protection device.
16. To reduce the risk of fire or electric shock, do not expose this device to rain or moisture.
17. Do not attempt to modify this product. Doing so can lead to personal injury and product failure.



This symbol indicates that there is a potentially lethal voltage in this device.



Use in non-tropical areas



This symbol indicates that the instructions included with this device contain important operation and maintenance instructions.



Class II device, double insulation



3C standard logo



Indoor use



Use below an altitude of 2000 meters



Do not throw in the trash

Warning: The voltage in this device is potentially lethal.  
There are no user-serviceable parts inside the device.  
All repairs should be performed by qualified service personnel.  
If the working voltage set by the factory is changed, the safety certificate will no longer apply.

Industry's first automatic hand-sensing patented technology  
Automatically mute, save energy, and shut down after leaving  
the hand still

# **AUTOMATIC INDUCTION WIRELESS MICROPHONE SYSTEM**

***AUTOMATIC INDUCTION  
WIRELESS MICROPHONE SYSTEM***